

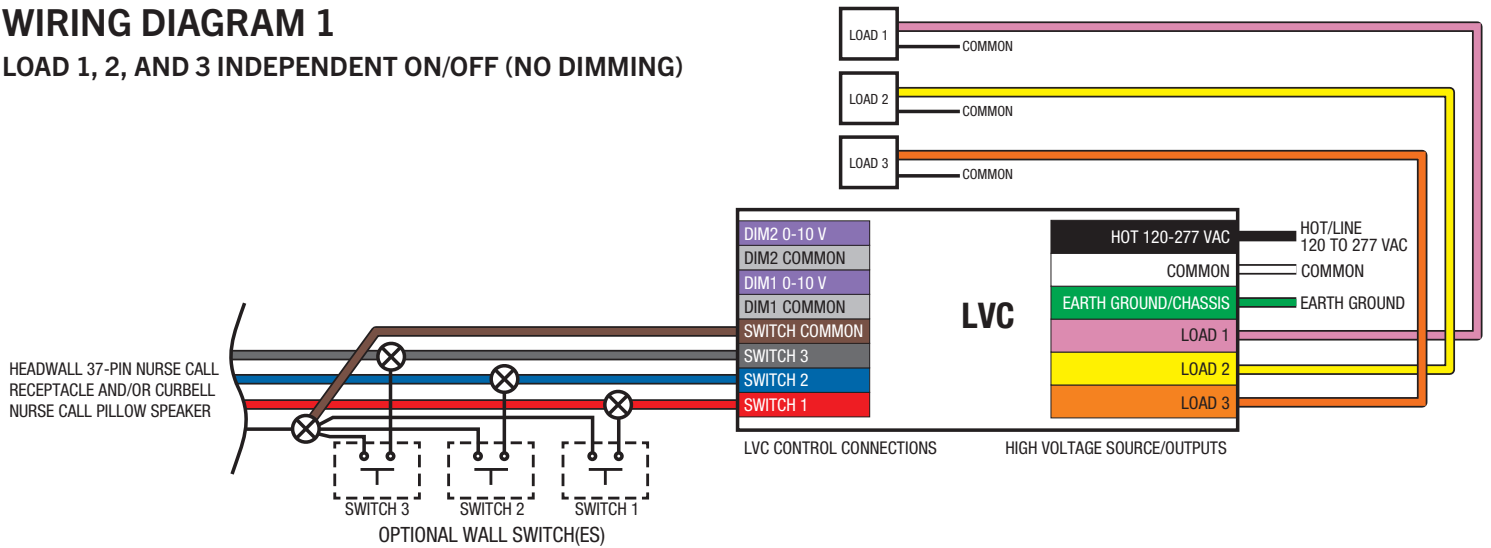
FOR THE LVC-2000 SERIES

IMPORTANT:

- Consult the Directions for Use for your low voltage controller for complete installation instructions
- See www.curbellmedical.com/lvc-wiring for specifics on which modes are compatible with each wiring diagram

WIRING DIAGRAM 1

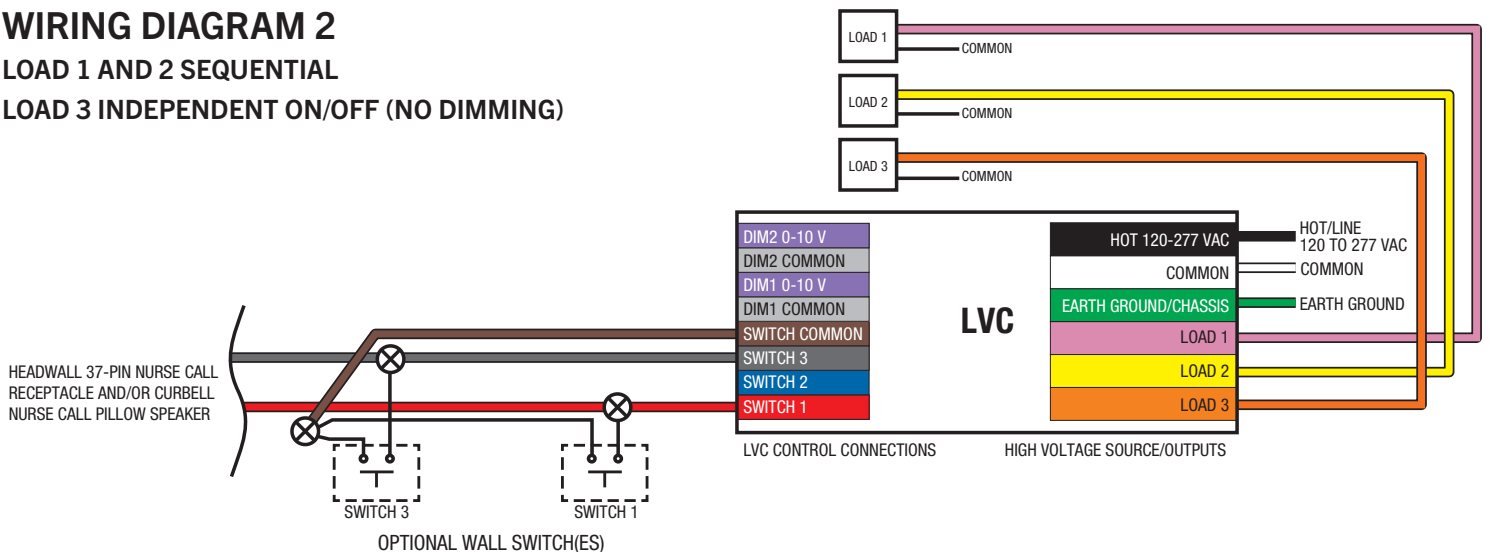
LOAD 1, 2, AND 3 INDEPENDENT ON/OFF (NO DIMMING)



WIRING DIAGRAM 2

LOAD 1 AND 2 SEQUENTIAL

LOAD 3 INDEPENDENT ON/OFF (NO DIMMING)

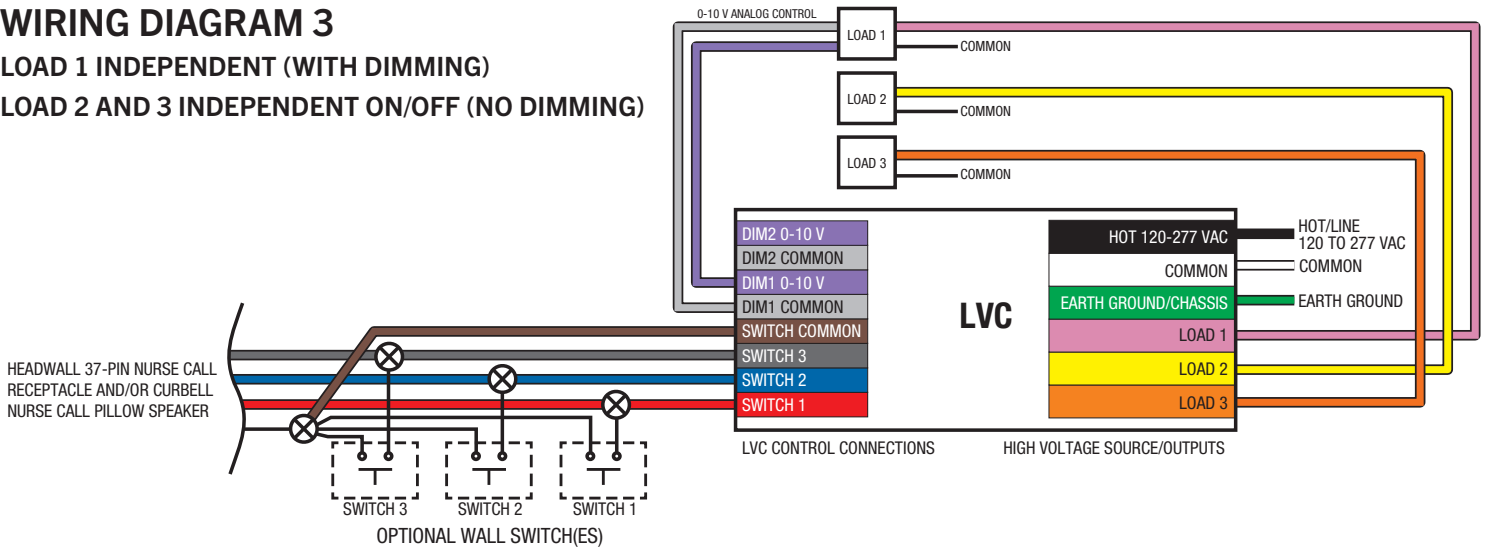


CONTINUED >

FOR THE LVC-2000 SERIES

WIRING DIAGRAM 3

LOAD 1 INDEPENDENT (WITH DIMMING)
LOAD 2 AND 3 INDEPENDENT ON/OFF (NO DIMMING)



WIRING DIAGRAM 4

LOAD 1 AND 2 INDEPENDENT (WITH DIMMING)
LOAD 3 INDEPENDENT ON/OFF (NO DIMMING)

