

Sure-Lock® Electrode Clip

Curbell's Sure-Lock Electrode Clip is more secure than traditional button snaps and easier to use than pinch clips. The versatile, patented mechanism securely attaches to both snap and tab electrodes, reducing the potential for disengagement and lost ECG signals.

The Sure-Lock Electrode Clip can be applied easily with one hand, without applying excessive pressure onto the electrode site. It's more comfortable for the patient and more ergonomic for the healthcare professional.

Flexible

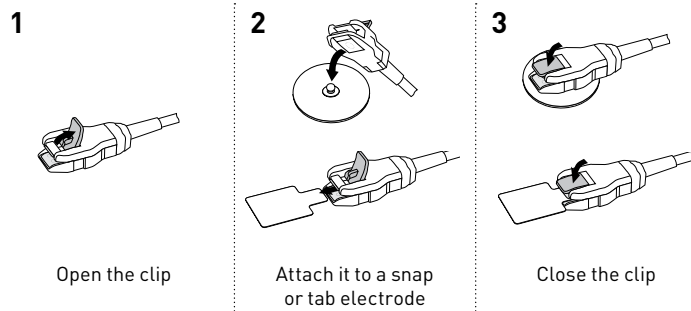
- ▶ Can replace snap, pinch, or alligator leads.
- ▶ Available on Safety DIN, Twin Pin, GE Multi-Link®, Philips Intellivue®, and SpaceLabs Tru-Link® style lead wire sets.
- ▶ Available individually for 3-4 mm Banana Clips or Safety DIN lead wire sets.
- ▶ Designed to be used with both snap and tab electrodes.

Durable

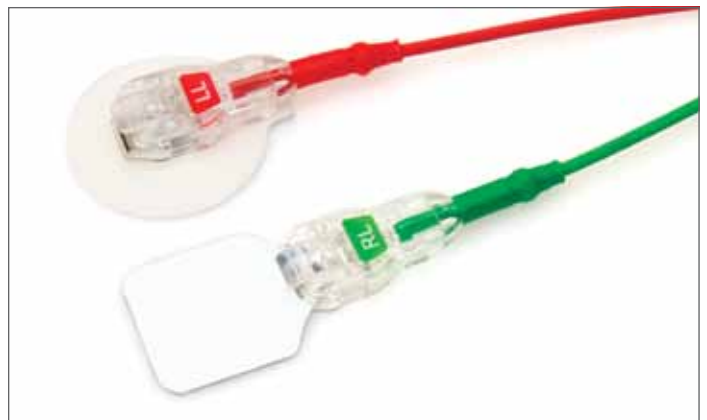
- ▶ Constructed of chemical-resistant plastic.
- ▶ One year warranty.

Ease to Use

- ▶ Locking metal clamp ensures connection with the electrode snap and allows 360° of motion — reducing the chances of leads detaching from the electrode and reducing false alarms.
- ▶ Can be used in a variety of applications, with quick and easy connection and disconnection.



Sure-Lock Electrode Clips are available on Safety DIN, Twin Pin, GE Multi-Link®, Philips Intellivue®, and SpaceLabs Tru-Link® style lead wire sets, and individually for 3-4 mm Banana Clips or Safety DIN lead wire sets.



Sure-Lock Electrode Clips can be used on snap and tab electrodes.



Sure-Lock Electrode Clips are ideal for stress test and telemetry applications

Multi-Link is a registered trademark of General Electric. Intellivue is a registered trademark of Philips. Tru-Link is a registered trademark of Spacelabs. Sure-Lock is a registered trademark of Curbell Medical Products, Inc.

©2012 Curbell Medical Products, Inc. MAP011B